

SC12G

Universal Compressor

R134a

220-240V 50Hz

Data Sheet (Replaces CD.44.P3.02)

General

Compressor	SC12G
Code number	104G8240
Code number	104G8243
Code number compressor with oil cooler	104G8250

Application

Application		LBP/HBP
Evaporating temperature range	°C	-35 to 15
Voltage range	V/Hz	LBP: 187 - 254 /50
		LBP: 198 - 254 /60
		HBP: 198 - 254 /50
Motor type		RSIR/CSIR
Max. ambient temperature	°C	43
Comp. cooling at ambient temp.	32°C	LBP: O/F ₁
		HBP: F ₂
	38°C	LBP: O/F ₁
		HBP: F ₂
43°C	LBP: O/F ₁	
	HBP: F ₂	

Design

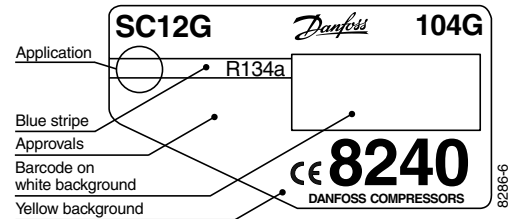
Displacement	cm ³	12.87
Oil quantity	cm ³	550 (500 on comp. with oil cooler)
Maximum refrigerant charge	g	1300
Free gas vol. in compressor	cm ³	1510
Weight without electrical equipment	kg	12.6

Motor

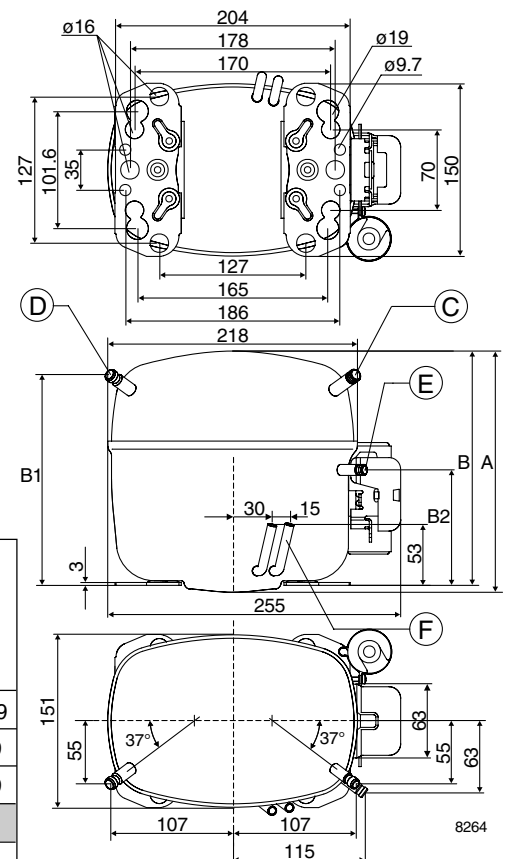
Motor size	watt	315
LRA (rated after 4 sec. UL984) LST/HST	A	12.4/12.6
Cut-in current LST/HST	A	17.2/12.6
Resistance, main and start winding (25°C)	Ω	6.7/11.8
Approvals		EN 60335-2-34

Dimensions

		104G8250	104G8240	104G8243
Height	mm	A	209	
		B	203	
		B1	183	
		B2	100	
Suction connector	location/I.D. mm	C	8.2 ±0.09	8.2 ±0.09
Process connector	location/I.D. mm	D	6.2 ±0.09	6.5 ±0.09
Discharge connector	location/I.D. mm	E	6.2 ±0.09	6.5 ±0.09
Oil cooler	location/I.D. mm	F	6.2 ±0.09	
Compressors on a pallet	pcs.		80	



- S = Static cooling normally sufficient
- O = Oil cooling
- F₁ = Fan cooling 1.5 m/s
(compressor compartment temperature equal to ambient temperature)
- F₂ = Fan cooling 3.0 m/s necessary



Capacity (EN 12900/CECOMAF)

Evap. temp in °C	-35	-30	-25	-23.3	-20	-15	-10	-5	0	5	7.2	10	15
SC12G, 50Hz	64.6	113	175	199	252	348	464	603	768	960	1054	1182	1437
SC12G, 60Hz	74.2	131	203	232	294	406	542	704					

watt

Capacity (ASHRAE)

Evap. temp in °C	-35	-30	-25	-23.3	-20	-15	-10	-5	0	5	7.2	10	15
SC12G, 50Hz	79.6	140	216	246	312	430	574	746	951	1191	1308	1469	1790
SC12G, 60Hz	91.5	162	251	286	363	501	670	872					

watt

Power consumption

Evap. temp in °C	-35	-30	-25	-23.3	-20	-15	-10	-5	0	5	7.2	10	15
SC12G, 50Hz	148	187	227	241	268	311	355	400	446	493	514	541	589
SC12G, 60Hz	172	218	265	281	313	363	415	468					

watt

Current consumption

Evap. temp in °C	-35	-30	-25	-23.3	-20	-15	-10	-5	0	5	7.2	10	15
SC12G, 50Hz	1.63	1.72	1.83	1.87	1.95	2.09	2.24	2.40	2.57	2.76	2.85	2.96	3.17
SC12G, 60Hz	1.79	1.89	2.01	2.06	2.15	2.30	2.46	2.64					

A

COP (EN 12900/CECOMAF)

Evap. temp in °C	-35	-30	-25	-23.3	-20	-15	-10	-5	0	5	7.2	10	15
SC12G, 50Hz	0.44	0.61	0.77	0.83	0.94	1.12	1.31	1.51	1.72	1.95	2.05	2.19	2.44
SC12G, 60Hz	0.43	0.60	0.77	0.83	0.94	1.12	1.31	1.51					

W/W

COP (ASHRAE)

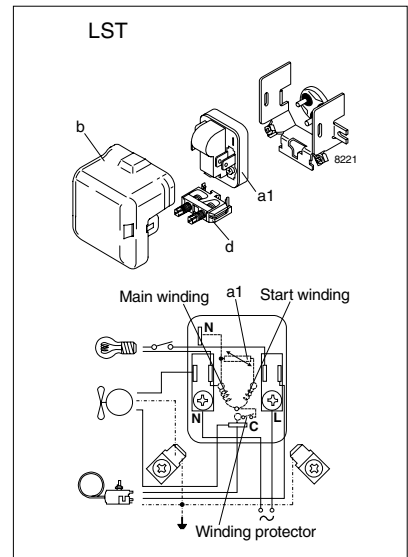
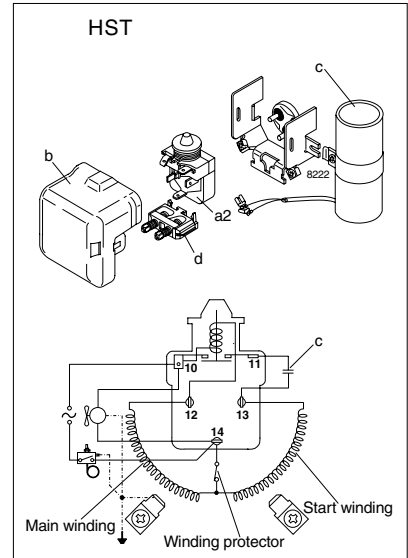
Evap. temp in °C	-35	-30	-25	-23.3	-20	-15	-10	-5	0	5	7.2	10	15
SC12G, 50Hz	0.54	0.75	0.95	1.02	1.16	1.38	1.62	1.87	2.13	2.42	2.55	2.72	3.04
SC12G, 60Hz	0.53	0.74	0.95	1.02	1.16	1.38	1.61	1.86					

W/W

Test conditions	EN 12900/CECOMAF	ASHRAE
Condensing temperature	55°C	55°C
Ambient and suction gas temp.	32°C	32°C
Liquid temperature	55°C	32°C
50Hz: Fan cooling $F_{p, 220V}$		
60Hz: Fan cooling $F_{p, 220V}$		

Accessories

Devices		Fig.	SC12G
PTC starting device	6.3 mm spades	a1	103N0002
Starting relay		a2	117U6003
Cover		b	103N2009
Starting capacitor 80 µF		c	117U5017
Cord relief		d	103N1004
Mounting accessories			
Bolt joint for one compressor			118-1917
Bolt joint in quantities			118-1918
Snap-on in quantities			118-1919



Danfoss can accept no responsibility for possible errors in catalogues, brochures and other printed material. Danfoss reserves the right to alter its products without notice. This also applies to products already on order provided that such alterations can be made without subsequential changes being necessary in specifications already agreed. All trademarks in this material are property of the respective companies. Danfoss and the Danfoss logotype are trademarks of Danfoss A/S. All rights reserved.

